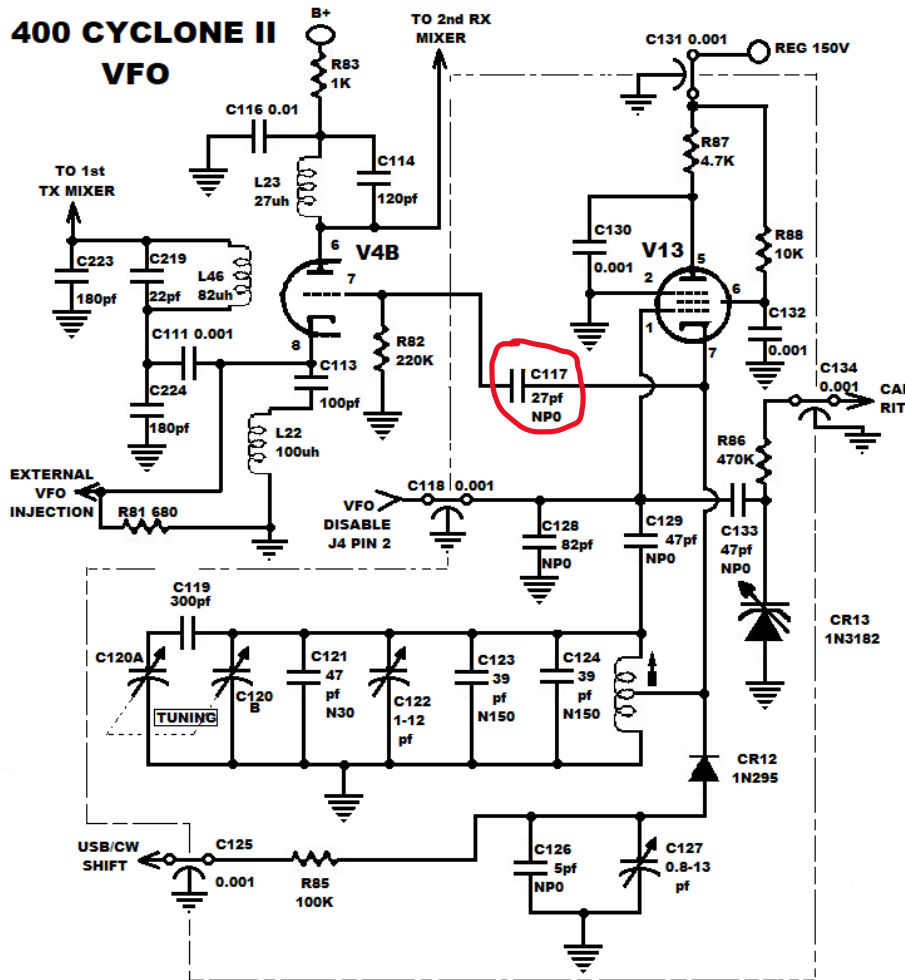


## SR-400 WEAK RX/TX

If you have a unit that the transmitter power and the receiver sensitivity both hover at or just below spec you may have a problem with the VFO output. Ideally the peak to peak voltage at pin 8 of V4B should be 3.6vpp at the very minimum you should have 3.2vpp. Once you eliminate the tube and the resistors, C117 may be your only option. Increase the value of C117 in increments of 10pf at a time until you attain 3.2vpp on pin 8 of V4B. If you push it to more than 3.7vpp you will most likely end up with transmitter spurs and receiver birdies. Once you get the drive level up and the receiver and transmitter are working properly, you need to check for receiver birdies and inspect the transmitter spectrum.

This same fault can be present in the SR-150 and the SR-2000.



These test measurements are made with all gain and drive controls set to minimum, in RX mode. Use the RF BLOCKING dc probe for these measurements. Test unit B+ = 286vdc.

V4B	6	7	8
VOLTAGE	186	-11	0

V13	1	5	6	7
VOLTAGE	2.98	97	109	0