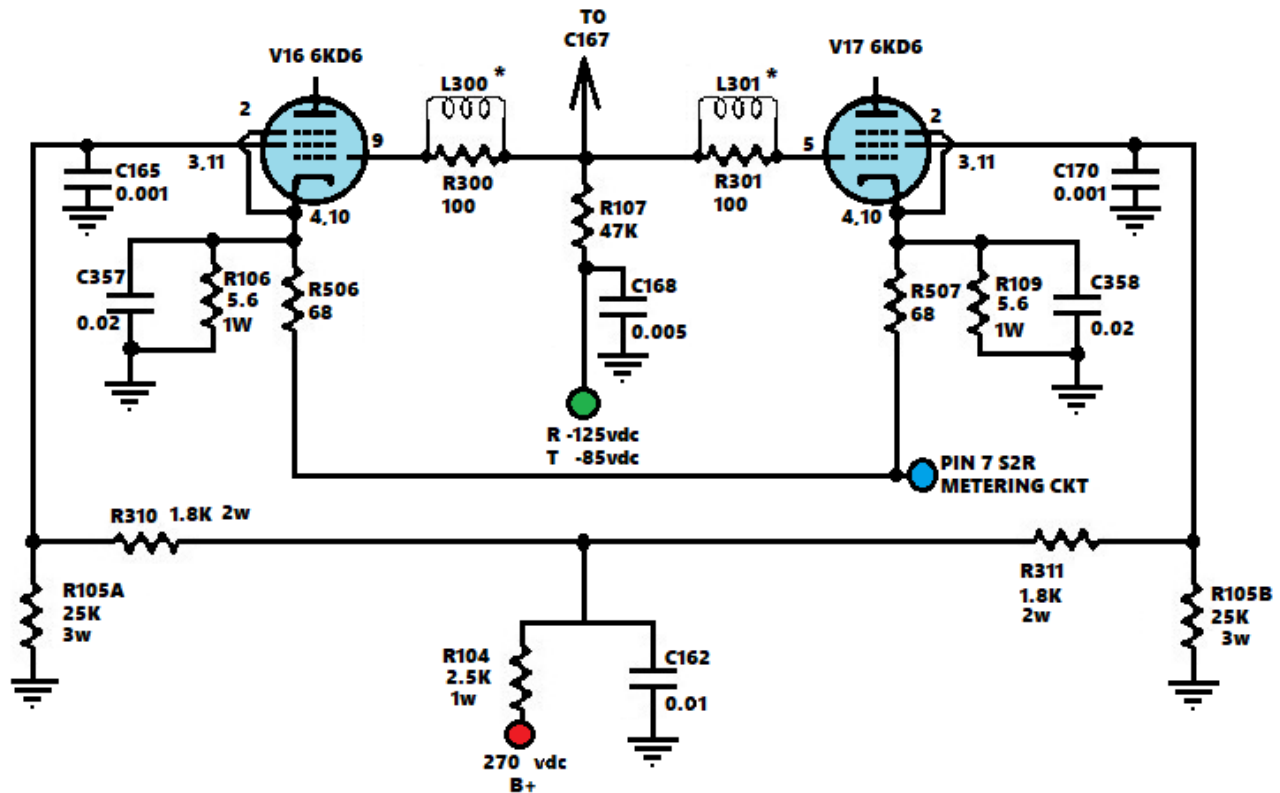


SR-400 CYCLONE AND CYCLONE II PA UPGRADE TO 6KD6

Changing the PA finals of the Cyclone and the Cyclone II will give an average increase of 25 watts on 80meters and 60 to 75 watts on 15 and 10meters. The 400A uses the 6KD6 with a screen balance network that did not prove to be very beneficial. True you could adjust for a perfect balance at a particular frequency at one drive level. As soon as you change frequency or drive level the balance became skewed. It did not eliminate the need to use matched pairs as so many people thought. Some adjustment of R506 and R507 may be required if you rely on the panel meter for setting PA plate idle current. I don't. The panel meters in all the SR series transceivers are subject to wide errors. I recommend using the test jacks in the power supply to monitor and adjust plate current. The only exception is the SR-2000.



This schematic reflects the changes on the socket side of the PA enclosure. The tube side of the enclosure has no changes.

*** Five turns of #24 wire around the 100 ohm resistors.**