

Ht-46 FREQUENCY SYNTHESIS

BAND	ALGORITHM	OUTPUT
80 meters	CARRIER OSC - VFO	4.0 MHz to 3.5 MHz
40	(HET - VFO) - CARRIER OSC	7.5 to 7.0
20	CARRIER OSC + VFO	14 to 14.5
15	(HET OSC + VFO) - CARRIER OSC	21 to 21.5
10 #1	(HET OSC + VFO) - CARRIER OSC	28 to 28.5

VFO = 5MHz TO 5.5MHz

CARRIER OSC - LSB 8.99870MHz
USB 9.00150MHz

HET OSC - 80M NOT USED
40M 21.5MHz
20M NOT USED
15M 25MHz
10M¹ 32MHz
10M² 32.5MHz
10M³ 33MHz
10M⁴ 33.5MHz

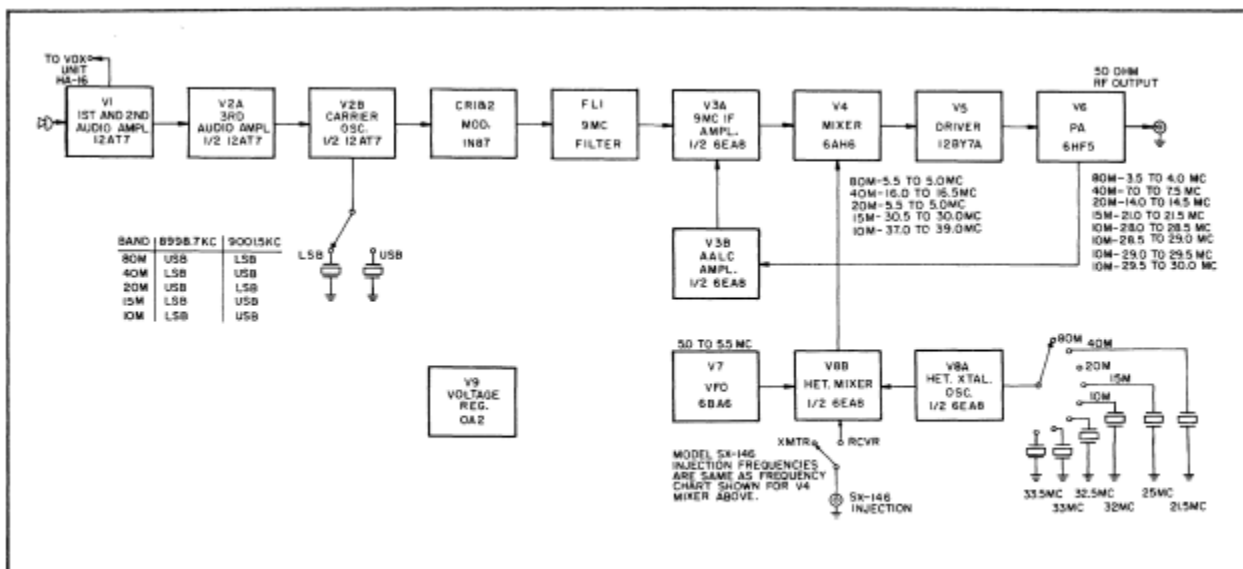


Figure 6. Block Diagram of Model HT-46 Transmitter.

156-006856