

VFO TEST AND ALIGNMENT.

NOTE: If the C15f to C127 mod has not been installed see APPENDIX VI-C for instructions and complete the modification before proceeding.

The following procedure is a substitute for the VFO alignment and adjustment found in sections 6-8 and 6-9 of the Hallicrafters OPERATING AND SERVICE INSTRUCTIONS manual.

SETUP:

Connect frequency counter to pin 8 of V6.
Preset C127 to the center of its tuning range.
CAL RESET to center of its rotation.

Turn the FUNCTION switch to any mode.
Allow 30 minutes warm-up/stabilize time.

INITIAL PRESET.

Tune the main tuning dial to 300.
Adjust L16 for a reading of 4.550MHz on the frequency counter.

TACKING ALIGNMENT.

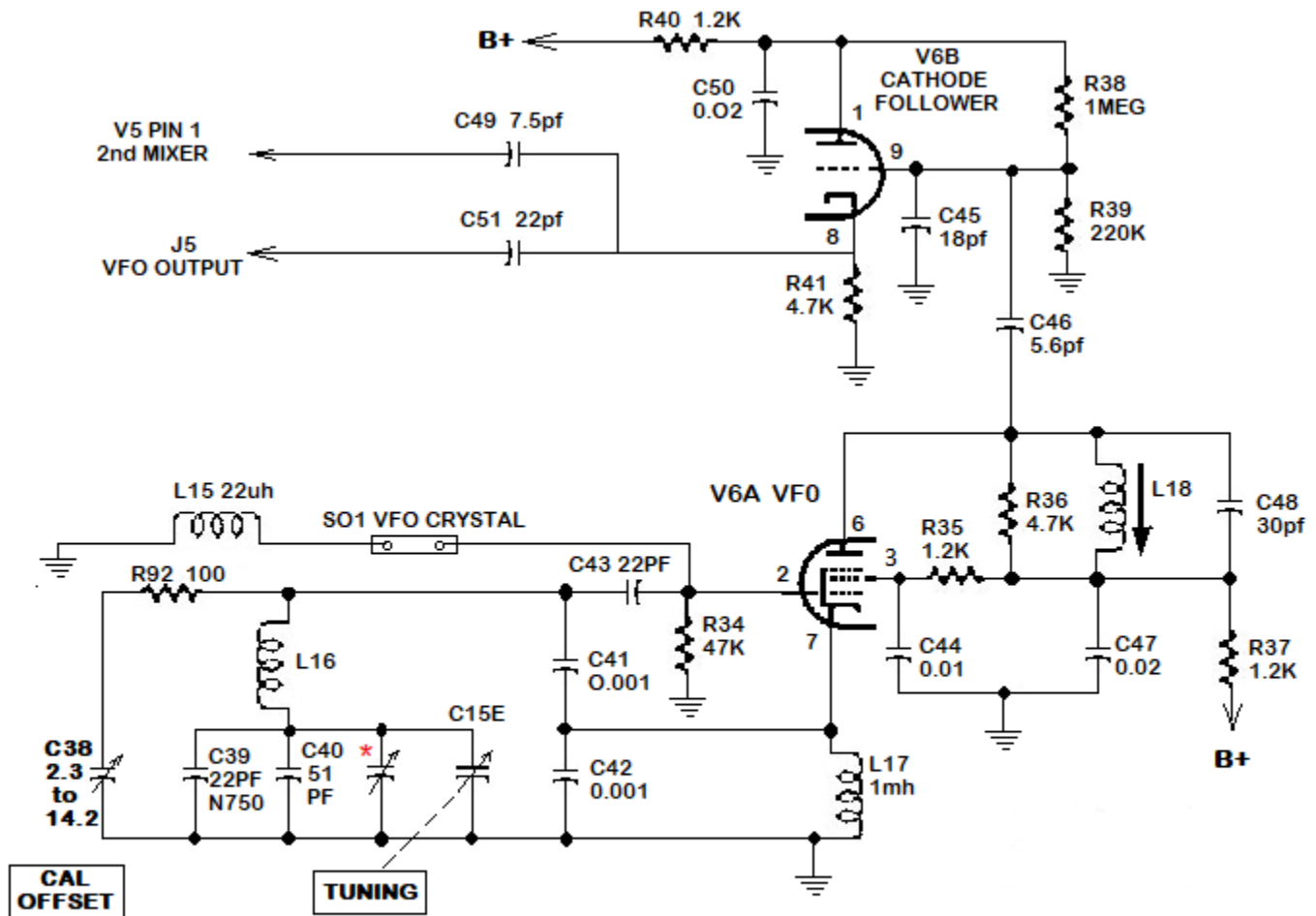
Tune the main tuning to 100 and adjust C127 for 4.750MHz on the counter.
Tune the main tuning to 400 and adjust L16 for 4.450MHz on the counter.

NOTE: These two adjustments interact, you may have to go back and forth several times, under or over correction at one or the other end to get both ends correct. +/- 500 is good, right on is best

FINAL CHECK

MAIN TUNING	FREQUENCY
0	4.850MHz
100	4.750MHz
200	4.650MHz
300	4.550MHz
400	4.450MHz
500	4.350MHz

VFO SCHEMATIC AND VOLTAGE CHART



***This capacitor may be C15f or C127 depending upon the production run.**

PIN	1	2	3	4	5	6	7	8	9
VOLTAGE	164	1.2	150	0	6.3vac	155	0.2	31	24.6

ALL VOLTAGES ARE DC UNLESS OTHERWISE NOTED. You will need an RF blocking probe. It will be helpful if you switch on the CAL oscillator and tune for a good tone in the speaker. If your RF blocking probe is working correctly you may shift the frequency of the tone a little, but it will not kill the oscillator. If the tone goes away completely then you need to find a better blocking probe.