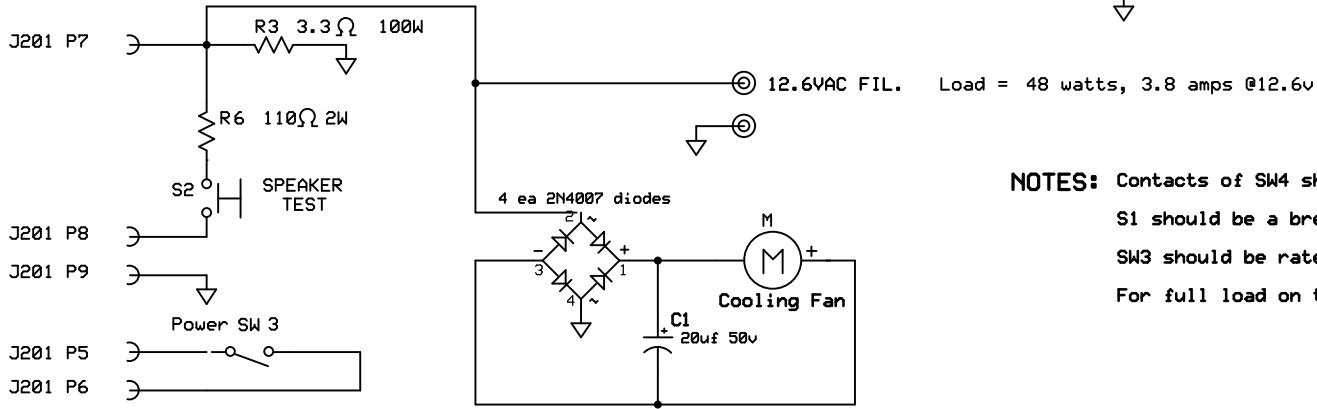


**S1 details & HI VOLTAGE LOAD** (load resistors = ps150/ps500)

Position 1	R1 and R2 in series total load 6K/7K
Position 2	R1 only total load 3K/4K
Position 3	R1 and R2 in parallel total load 1.5K/2.5K
position 1	51 WT/85ma } PS150 position 1 103 WT/121ma } PS500
position 2	90 WT/150ma } @ 600vdc position 2 180 WT/212ma } @ 850vdc
position 3	144 WT/240ma } S1 position 3, S4 closed 480 WT/566ma }



**NOTES:** Contacts of SW4 should have a 400vdc rating.  
 S1 should be a break before make switch.  
 SW3 should be rated for 220vac.  
 For full load on the filament winding R3 should be 2.3 ohms.